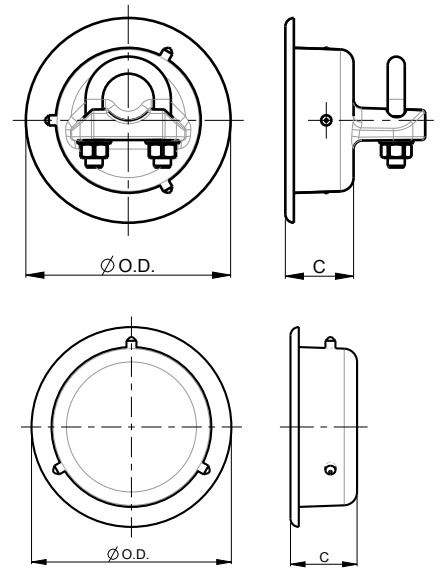


LB

AL END CAP



M6X12 - DIN914

UP TO
400kV

A2-70

PART NUMBER	OD	ID TUBE MIN.	ID TUBE MAX.	C
LB5X3M6GE10	50	28	36	40
LB5X4M5GE10	50	37	45	40
LB6X4M6GE10	60	38	46	40
LB6X5M5GE10	60	47	56	40
LB6M3X5M3GE10	63	45	53	30
LB6M3X4M9GE10	63	41	49	30
LB7X5M6GE10	70	48	56	40
LB7X6M5GE10	70	57	65	40
LB7M5X6M5GE10	75	57	65	40
LB8X6M6GE10	80	58	66	40
LB8X7M5GE10	80	67	75	40
LB9X7M5GE10	90	67	75	40
LB9X7M6GE10	90	68	76	40
LB9X8M5GE10	90	77	85	40
LB10X8M6GE10	100	78	86	40
LB10X9M5GE10	100	87	95	40
LB12X9M5GE10	120	87	96	40
LB12X9M7GE10	120	89	97	40
LB12X10M6GE10	120	98	106	40
LB12X11GE10	120	100	110	40
LB12X11M5GE10	120	107	115	40
LB12M7X11M5GE10	127	107	115	40

PART NUMBER	OD	ID TUBE MIN.	ID TUBE MAX.	C
LB14X12M6GE10	140	118	126	40
LB14X13M5GE10	140	127	135	40
LB15X13M6GE10	150	128	136	40
LB15X14M5GE10	150	137	145	40
LB16X13M7GE10	160	129	137	40
LB16X14M6GE10	160	138	146	40
LB16X15M5GE10	160	147	155	40
LB17X15M6GE10	170	148	156	40
LB17X16M5GE10	170	157	165	40
LB19X17M7GE10	190	169	177	40
LB20X18M6GE10	200	176	186	40
LB20X19M5GE10	200	187	195	40
LB22X20M6GE10	220	198	206	40
LB22X21M5GE10	220	207	215	40
LB25X22M7GE10	250	219	227	40
LB25X23GE10	250	224	230	40
LB25X23M5GE10	250	228	235	40
LB25X23M6GE10	250	228	236	40
LB25X24M5GE10	250	234	245	40
LB30X27M8GE10	300	268	278	40
LB30X28M6GE10	300	278	286	40
LB30X29M5GE10	300	287	295	40

FOR DAMPING CABLE VERSION SUBSTITUTE THE END OF THE PART NUMBER (GE10) TO: GE16 (Ø15.0-21.0) GE11 (Ø21.0-29.5) GE13 (Ø29.5-35.0) GE15 (Ø35.0-42.0)