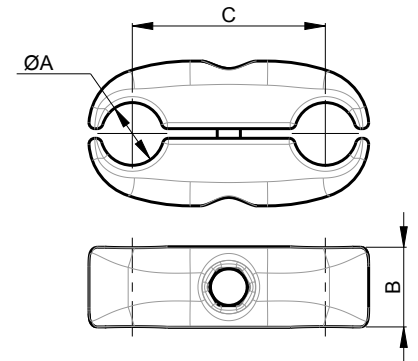
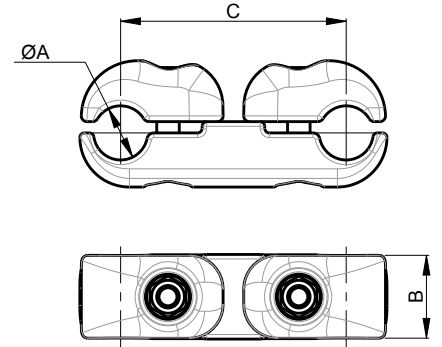


**SD**

AL SPACER



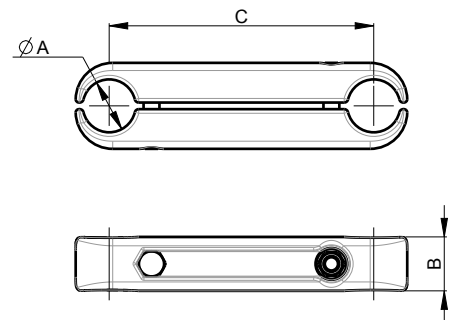
UP TO  
**400kV**

**A2-70**



PART NUMBER	A	B	C	BOLTS A	FIGURE
SD.100.010	16 - 24	36	100	M10	1
SD.100.030	24 - 33	41	100	M12	2
SD.100.050	33 - 45	41	100	M12	2
SD.100.060	45 - 50	41	100	M12	2

FOR OTHER DESIGNS, DISTANCES BETWEEN CABLE OR NUMBER OF CABLE CONSULT TO OUR R&D DEPARTMENT



UP TO  
**400kV**

**A2-70**



PART NUMBER	A	B	C	BOLTS A	FIGURE
SD.200.010	16 - 24	36	200	M10	3
SD.200.030	24 - 33	41	200	M12	3
SD.200.050	33 - 45	41	200	M12	3
SD.200.060	45 - 50	41	200	M12	3