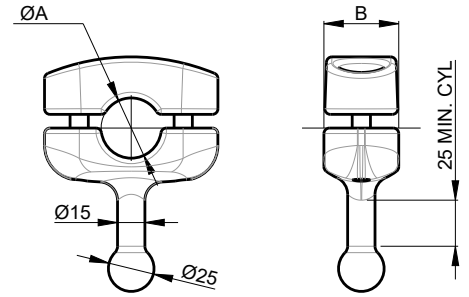


SGDIA01

CABLE

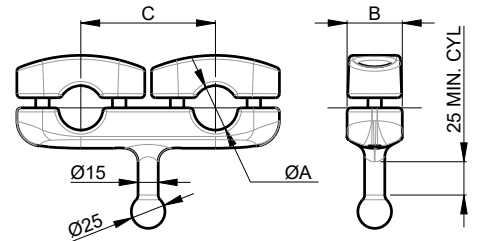


UP TO **400kV** **A2-70**

PART NUMBER	A	COVERS A	B	BOLTS A
SGDIA.01.010	16 - 24	1	36	M8
SGDIA.01.020	24 - 33	1	41	M10
SGDIA.01.030	33 - 45	1	41	M10
SGDIA.01.040	45 - 50	1	41	M10

SGDIA02

CABLE BUNDLE

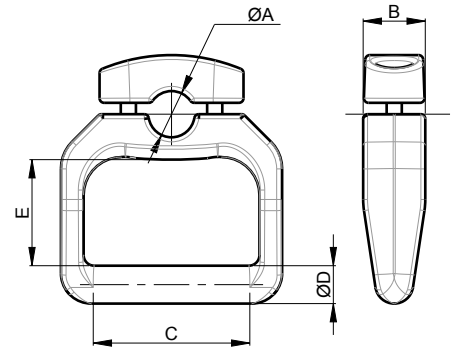


UP TO **400kV** **A2-70**

PART NUMBER	A	COVERS A	B	C	BOLTS A
SGDIA.02.010	16 - 24	1	36	100	M8
SGDIA.02.020	24 - 33	1	41	100	M10
SGDIA.02.030	33 - 45	1	41	100	M10
SGDIA.02.040	45 - 50	1	41	100	M10

SGP01

CABLE

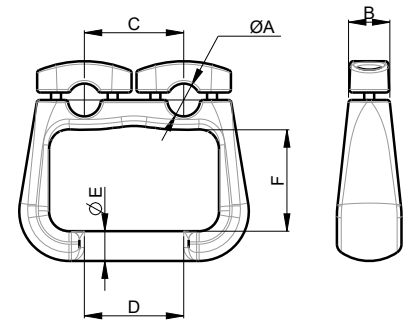


UP TO 400kV A2-70

PART NUMBER	A	COVERS A	B	C	D	E	BOLTS A
SGP01.010	16 - 24	1	36	100	30	100	M8
SGP01.020	24 - 33	1	41	100	30	100	M10
SGP01.030	33 - 45	1	41	100	30	100	M10
SGP01.040	45 - 50	1	41	100	30	70	M10

SGDPL

CABLE BUNDLE



UP TO 400kV A2-70

PART NUMBER	A	COVERS A	B	C	D	E	F	BOLTS A
SGDPL.100.010	16 - 24	1	36	100	150	30	100	M8
SGDPL.100.020	24 - 33	1	41	100	100	30	100	M10
SGDPL.100.030	24 - 33	1	41	100	150	30	100	M10
SGDPL.100.040	24 - 33	1	41	100	200	30	100	M10
SGDPL.100.050	33 - 45	1	41	100	100	30	105	M10
SGDPL.100.060	33 - 45	1	41	100	150	30	105	M10
SGDPL.100.070	45 - 50	1	41	100	150	30	105	M10
SGDPL.200.010	16 - 24	1	36	200	150	30	105	M8
SGDPL.200.020	24 - 33	1	41	200	100	30	105	M10
SGDPL.200.030	24 - 33	1	41	200	200	30	105	M10
SGDPL.200.040	33 - 45	1	41	200	100	30	105	M10
SGDPL.200.050	33 - 45	1	41	200	200	30	105	M10
SGDPL.200.060	45 - 50	1	41	200	200	30	105	M10